



Acme Sanitary Ware Co Ltd

Acme Building, 22-28 Nanking Street, Kowloon, Hong Kong
Tel: 2388 7171 Fax: 2710 8012
E-mail: acme@acmesanitary.com.hk
Website: www.acmesanitaryware.com.hk



Pure Freude
an Wasser

PROJECT		REF		REV	ITEM CODE	
LOCATION		DATE			PAGE	

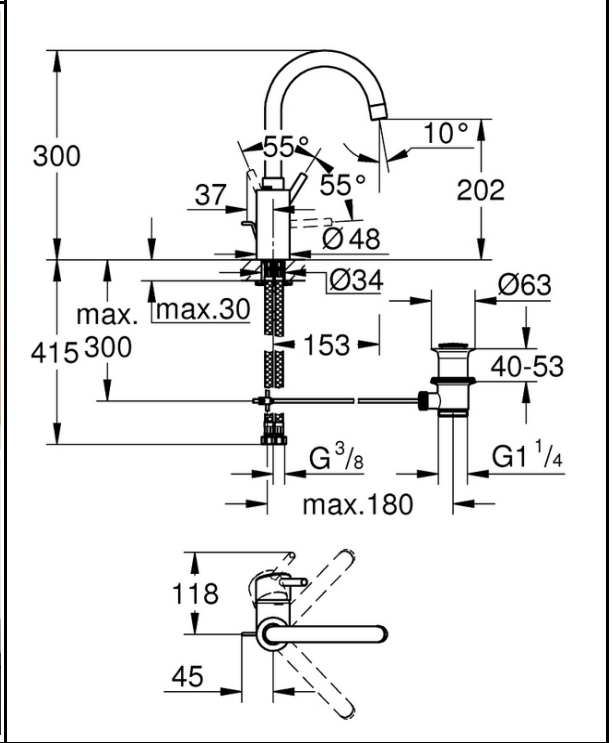
SANITARY WARE SPECIFICATION SHEET

Item Descriptions	GROHE (Germany) "Concetto" Single-lever basin mixer 1/2" L-Size
Dimensions	L153 x W48 x H300 mm
Model	19576002
Finish	Chrome Plated
Country of origin	Thailand
Manufacturer	GROHE AG
Supplier	Acme Sanitary Ware Co. Ltd Mr. Eric Wong/ Mr. Don Yuen
Contact Tel/Fax	(852) 2388-7171 / (852) 2710-8012
E-mail	acme@acmesanitary.com.hk
Website	www.acmesanitary.com.hk



"Concetto"
Single-lever basin mixer 1/2" L-Size

- monobloc installation
- metal lever
- covered lever fixing
- **GROHE SilkMove** 35 mm ceramic cartridge
- adjustable flow rate limiter
- **GROHE StarLight** chrome finish
- **GROHE Zero** separated inner water ways
- lead and nickel free
- **GROHE QuickFix** installation system
- mousseur
- swivel tubular spout
- with stop restriction
- pop-up waste set 1 1/4"
- flexible connection hoses
- optional temperature limiter (46 375 000)
- **min. recommended pressure 1 bar**



Note:

* All information of the above is for the reference only. No prior notice is made if any changes.



PROJECT		REF		REV	ITEM CODE	
LOCATION		DATE			PAGE	

SANITARY WARE SPECIFICATION SHEET

GROHE StarLight[®] Chrome

GROHE PVD
10x more scratch resistance
3x more surface hardness

Chrome PVD Chrome PVD

GROHE surface hardness $\times 3$
GROHE scratch resistance $\times 10$

GROHE SilkMove cartridge technology for smooth handling

This premium tap comes with a continuously variable water temperature and volume adjustment technology, ensuring effortless lever operation even after years of use.

Easy to clean thanks to the GROHE StarLight chrome coating

Just wipe the tap down with a dry cloth – the ultra smooth surface finish is scratch resistant and ensures a lasting luminous sheen. You'll save plenty of time cleaning while your tap always looks shiny and new.

GROHE QuickFix Plus quick and easy installation in a few simple steps

Save time on the installation of your tap with GROHE QuickFix Plus. Consisting of fewer parts, our new system makes the installation process quicker and easier than ever.

Pos.-nr.	Prod. description	Order-nr.
1	Lever	46754000
2	Cartridge	46374000
3	flow control	48418000
4	locking washer	48420000
5	Sealing washer $\varnothing 13.5 \times \varnothing 2.75$	0128500M
6	Pop-up rod	46739000
7	Shank fastening assembly	46671000
8	Waste set 1 1/4"	28910000
8.1	Plug for waste set 1 1/4"	07182000
8.2	Eccentric rod	07052000
9	Socket spanner	19332000*
10	Mounting wrench	19017000*
11	Ball rod	07341000*

* Optional accessories

Note:

* All information of the above is for the reference only. No prior notice is made if any changes.